

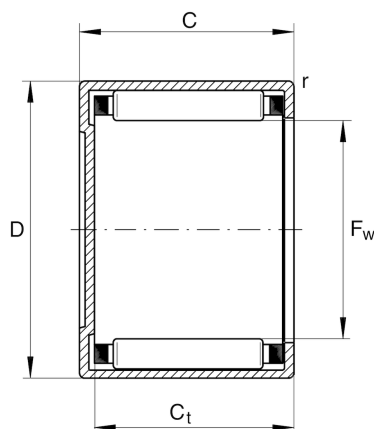
## BK1012-B

Drawn cup needle roller bearing closed end

Schaeffler ID:  
0011978270000

Drawn cup needle roller bearings with  
closed end BK, to DIN 618/ISO 3245

### Technical information



#### Main Dimensions & Performance Data

$F_w$	10 mm	Under roller diameter
$D$	14 mm	Outside diameter
$C$	12 mm	Width, outer ring
$C_r$	5,500 N	Basic dynamic load rating, radial
$C_{0r}$	6,800 N	Basic static load rating, radial
$C_{ur}$	950 N	Fatigue load limit, radial
$n_G$	24,300 1/min	Limiting speed
$n_{G \text{ Grease}}$	14,600 1/min	Limiting speed for grease lubrication
$n_{gr}$	18,400 1/min	Reference speed
	4.968 g	Weight

#### Additional information

$r_{\min}$	0.4 mm	Minimum chamfer dimension
	GR10X14X3	Sealing ring
$C_{t \min}$	10.4 mm	Minimum width to base of drawn cup with closed end
	G10X14X3	Sealing ring 2
	IR7X10X12-XL	Suitable inner rings IR

#### Temperature range

$T_{\min}$	-30 °C	Operating temperature min.
$T_{\max}$	140 °C	Operating temperature max.